

# AdaptaBeacon® Adverse Location Signal

*Type 4X, Marine Rated,  
Div. 2, UL 1971 Listed Model*

## 105 Series

### FEATURES

- > Corrosion resistant
- > Six available light sources:
  - Steady-on LED incandescent
  - Steady-on LED cluster
  - Flashing incandescent
  - Flashing LED cluster
  - 300,000 peak candlepower
  - 800,000 peak candlepower, 8 joule high intensity strobe
- > Three mounting bases:
  - 3/4" (19mm) pipe mount attachment
  - Outlet box attachment
  - Wall mounting bracket

### AGENCY APPROVALS

- > UL 1638 and UL 1604 Listed
- > UL Listed NEMA Type 4X enclosure
- > UL Listed Class I, Division 2, Groups A, B, C & D; Class II, Division 2, Groups F & G and Class III locations
- > cUL Listed
- > Marine UL 595 Listed, Category UXUB
- > Marine UL 1598A Listed
- > UL 1971 Listed Model

[www.leedan.com](http://www.leedan.com) [info@leedan.com](mailto:info@leedan.com) Toll-Free: 800-231-1414

The Edwards 105 Series are heavy duty beacons designed for use in industrial applications where a corrosion resistant Type 4X enclosure is required. The housing is manufactured from glass-reinforced thermoplastic polyester resin and incorporates brass hardware. The double fresnel lens is made of polycarbonate.

All light sources are supplied as UL listed component assemblies – ready to be attached to the selected mounting base.

The Edwards 105DHISTC-FJ high intensity strobe is designed for use in compatible fire alarm system and other applications requiring electrical supervision of signaling circuit field wiring.

All units can be mounted on 3/4" (19mm) NPT conduit using the 105PM attachment. The units can also be surface or wall mounted using the 105BX and 105BM attachments respectively. For indoor applications, may be vertically mounted with lenses facing up or down. For weatherproof installation, it is recommended that the unit be mounted with the lens facing up or with the lens horizontal.



Cat No. 105FINH mounted on a Cat No. 105BM with the Cat No. 105BX



Cat. No. 105HIST mounted on a Cat. No. 105BX



Cat. No. 105HIST mounted on a Cat. No. 105BX



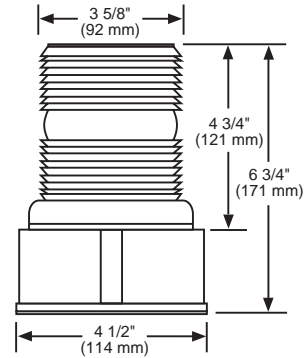
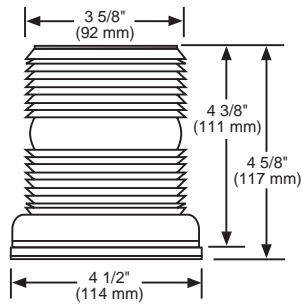
Cat. No. 105HIST mounted on a Cat. No. 105PM

**EDWARDS**  
**SIGNALING**

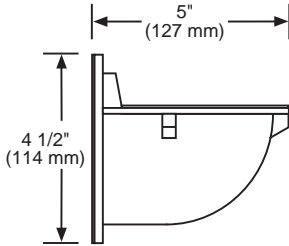
© Copyright 2002 Edwards

# TECHNICAL INFORMATION

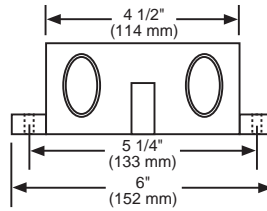
Cat. No's.  
105SLED  
105FLED  
105SINH  
105FINH  
105ST



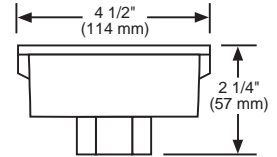
Cat. No.  
105HIST



Cat. No. 105BM Mounting Bracket  
(use with 105BX)



Cat. No. 105BX  
Outlet Box Attachment



Cat. No. 105PM  
Pipe Mount Attachment

| Light Source<br>Cat. No.               | Module<br>Type                                     | Lamp<br>Ratings  | Peak<br>Candlepower  | Voltage                      | Current               | Replacement<br>Lamp  |
|--|--|--|--|------------------------------|-----------------------|--|
| 105SLED*-G1<br>105SLED*-N5             | Steady-On LED<br>Steady-On LED                     | 120,000 hours <sup>1,2</sup><br>120,000 hours <sup>1,2</sup>                     | Color Dependant<br>Color Dependant                               | 24V DC<br>120V AC            | 0.062A<br>0.022A      | —  |
| 105FLED*-G1<br>105FLED*-N5             | Flashing LED<br>Flashing LED                       | 100,000 hours <sup>1,2</sup><br>100,000 hours <sup>1,2</sup>                     | Color Dependant<br>Color Dependant                               | 24V DC<br>120V AC            | 0.062A<br>0.022A      | —  |
| 105SINH**-G1<br>105SINH**-G5           | Steady-On Halogen<br>Steady-On Halogen             | 20W, 20,000 hours <sup>1,2</sup><br>20W, 20,000 hours <sup>1,2</sup>             | 2839<br>2839   | 24V DC<br>24V AC             | 0.8A<br>0.8A          | 50LMP-20WH or<br>Industry Trade No. 1692<br>(Incandescent)   |
| 105SINH**-N5                           | Steady-On Halogen                                  | 25W, 20,000 hours <sup>1,2</sup>   | 2198   | 120V AC                      | 0.2A                  | 50LMP-25WH or<br>Industry Trade No. 25T8DC<br>(Incandescent) |
| 105FINH**-G1<br>105FINH**-G5           | Flashing Halogen<br>Flashing Halogen               | 20W, 20,000 hours <sup>1,2</sup><br>20W, 20,000 hours <sup>1,2</sup>             | 2839<br>2839   | 24V DC<br>24V AC             | 0.8A<br>0.8A          | 50LMP-20WH or<br>Industry Trade No. 1692<br>(Incandescent)   |
| 105FINH**-N5                           | Flashing Halogen                                   | 25W, 20,000 hours <sup>1,2</sup>   | 2198   | 120V AC                      | 0.2A                  | 50LMP-25WH or<br>Industry Trade No. 25T8DC<br>(Incandescent) |
| 105ST**-G1<br>105ST**-N5<br>105ST**-R5 | 3 Joule Strobe<br>3 Joule Strobe<br>3 Joule Strobe | 3,000 hours <sup>3</sup><br>3,000 hours <sup>3</sup><br>3,000 hours <sup>3</sup> | 300,000<br>300,000<br>300,000                                    | 24V DC<br>120V AC<br>240V AC | 0.3A<br>0.1A<br>0.02A | 91B-ST   |
| 105DHISTC-FJ                           | Fire Alarm (UL 1971)<br>8 Joule Strobe             | 3,000 hours <sup>3</sup>   | 26 cd wall (dome out)<br>24 cd wall (dome down)<br>26 cd ceiling | 20-30V DC                    | 1.08 - 0.83 A         | 92-ST  |
| 105HIST**-N5                           | High Intensity<br>8 Joule Strobe                   | 3,000 hours <sup>3</sup>   | 800,000  | 120V AC                      | 0.1A                  | 92-ST  |
| 105HIST**-R5                           | High Intensity<br>8 Joule Strobe                   | 3,000 hours <sup>3</sup>   | 800,000  | 240V AC                      | 0.05A                 | 92-ST  |
| 105HIST**-EK                           | High Intensity<br>8 Joule Strobe                   | 3,000 hours <sup>3</sup>   | 800,000  | 12-48V DC                    | 0.05A                 | 92-ST  |

\*Lens and light source (LED) color: A - amber, B - blue, G - green, R - red.  
\*\*Lens color: A - amber, B - blue, C - clear, G - green, M - magenta, R - red.

<sup>1</sup>At nominal operating voltage.

<sup>2</sup>Projected lamp life based on manufacturer's calculated lamp life @ 65 fpm and 50% duty cycle.

<sup>3</sup>Strobe tube life @ operating power to 75% efficiency.