



(Bell purchased separately)

# Bell/Strobe Adaptor Plate

## 2453BSA Series

### FEATURES

- > 30, 15/75 and 110 candela models
- > Control modules not required
- > Low current draw synchronous strobe
- > Mounts to a variety of electrical boxes

### AGENCY APPROVALS

- > Strobe: UL 1971 Listed for the Hearing Impaired
- > Strobe: UL 1638 Listed Private Mode (Indoor and not for the hearing impaired)
- > Meets NFPA and ADA requirements

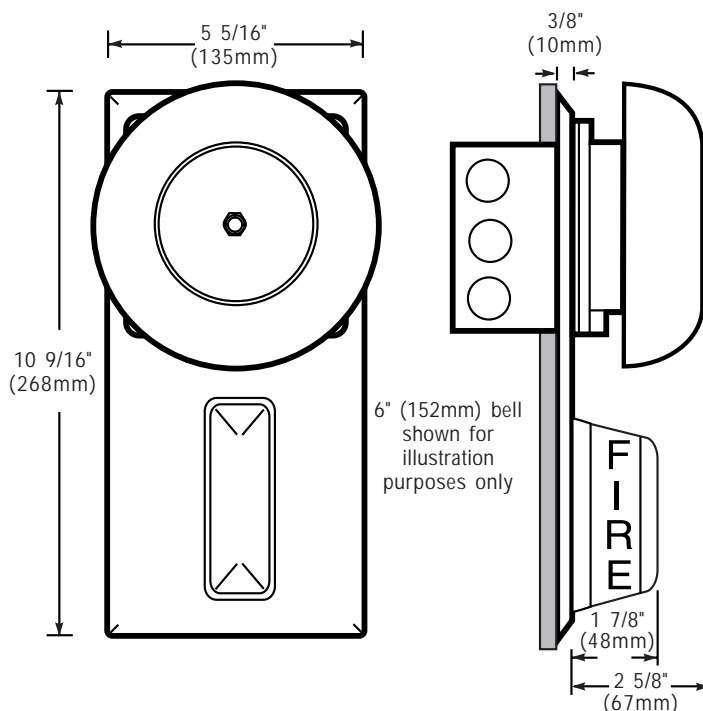
[www.leedan.com](http://www.leedan.com) [info@leedan.com](mailto:info@leedan.com) Toll-Free: 800-231-1414

The Edwards 2453BSA Series Bell/Strobe Adaptor Plate contains a 30, 15/75, or 110 candela strobe. The unit is specifically designed for use with the 439D-AW-R series of 6" (152mm), 8" (203mm) and 10" (254mm) red fire alarm bells (ordered separately). The Adaptor Plate is available in red.

The strobes employ a unique microprocessor design that assures all units operate at the same time and at a rate of one flash per second thereby reducing the risk of causing disorientation of a small portion of the population having photosensitivity. Wire leads are provided for easy installation of the strobe. The units are rated for indoor use. The strobes require a continuous (non-pulsed) DC source.

The 2453BSA Series is designed for indoor wall mounting on a variety of standard, flush mounted, North-American electrical boxes. These include 1-gang, 2-gang, 3-1/2" & 4" octagon and 4" square boxes. Edwards recommends that these fire alarm bell/strobes always be installed in accordance with the latest recognized edition of national and local fire alarm codes.

The Bell/Strobe Adaptor Plate is ideal for renovation, retrofit projects and new construction.



Catalog Number	2453BSA-30-R	2453BSA-15/75-R	2453BSA-110-R
Faceplate Color	Red	Red	Red
Strobe Operating Volts	20 to 31V DC (Continuous)		
UL 1638 Strobe Flash Output	30 cd	75 cd	120 cd
UL 1971 Strobe Flash Output	30 cd Wall	15 cd Wall	110 cd Wall
Mean Operating Current <sup>1,4</sup>	89 mA @ 24V DC 107 mA @ 20V DC	96 mA @ 24V DC 115 mA @ 20V DC	197 mA @ 24V DC 241 mA @ 20V DC
Peak Operating Current <sup>1,3</sup>	189 mA @ 20V DC	204 mA @ 20V DC	338 mA @ 20V DC
Mean Operating Current FWR <sup>2</sup>	75 mA @ 24V DC 91 mA @ 20V DC	79 mA @ 24V DC 97 mA @ 20V DC	338 mA @ 24V DC 202 mA @ 20V DC
Peak Operating Current FWR <sup>2,3</sup>	402 mA @ 24V DC	446 mA @ 24V DC	788 mA @ 24V DC
Strobe Flash Rate	Synchronized at one flash per second. External control module necessary to meet UL 1971 synchronization requirements of 10 milliseconds over a two-hour period.		
Synchronization Module	EG1M, EG1-RM		
Strobe Lens	Clear Lexan		
Wire Connection	Wire Leads, Polarized Input, #12 AWG		
Lens Markings	Red "FIRE" Vertical Both Sides (Wall Mount)		
Faceplate Material	Textured Color-Impregnated Noryl (Exceeds 94V-0 UL Flammability Rating)		
Mounting	Flush (Indoor Only): 1-Gang (2" Deep Min.) Standard Electrical Box; Surface (Indoor): 1-Gang Wiremold Box		
Operating Environment	Indoor: 85% Relative Humidity @ 86F (30C); 32 to 120F (0 to 49C) Variable Ambient Temperature		
Agency Listing	UL 1971 and UL 1638 (All models comply with ADA Code of Federal Regulation Chapter 28 Part 36 Final Rule)		

Note 1: Use the mean current rating to establish the maximum number of strobes, wire gauge and standby power requirements. 2400 Series uses 24V DC. Fire Shield uses 24V DC FWR.  
 Note 2: From a FILTERED DC source.  
 Note 3: From an UNFILTERED (Full Wave Rectified) DC source.  
 Note 4: Peak inrush current at 24V DC = 7.8 Amps for less than 50 microseconds.