



AdaptaBeacon® Heavy Duty Strobe Light

Double Flash
NEMA Type 4X

57EDF Series

FEATURES

- > 2.3 million peak candela strobe
- > Weatherproof
- > Protective, easily cleaned clear polycarbonate outer dome
- > Immune to shock and vibration

AGENCY APPROVALS

- > AC models UL 1638 Listed
- > UL Listed NEMA Type 4X enclosure
- > AC models CSA Certified C22.2 No. 205

www.leedan.com info@leedan.com Toll-Free: 800-231-1414

The 57E Series AdaptaBeacon strobes are heavy-duty, double flash strobe lights designed for use in general signaling applications. The shatter resistant polycarbonate lens has been designed with a reflective double optics system that creates a unique rectangular column of light. This enhances light output by increasing the lens fill rate while minimizing the intense light burst normally characteristic of high intensity strobes.

The unit features a corrosion resistant, heat flowed epoxy finish base. Lenses are available in five colors: red, amber, blue, green and clear.

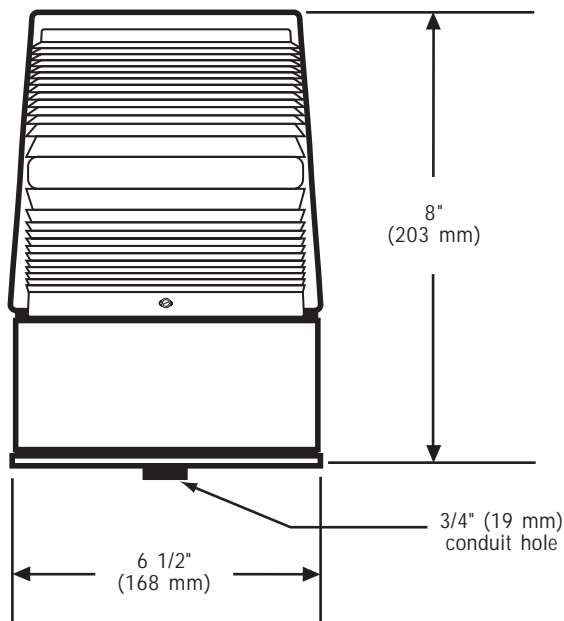
Designed for indoor or outdoor installation on 3/4" (19 mm) conduit. The strobe light may be installed vertically with the dome either facing up or facing down. For weatherproof installations units must be mounted vertically with dome up.

Edwards double flash strobe lights are particularly effective in high-noise areas, especially where ear protection must be worn and audible signals may not be heard or understood. The Type 4X enclosure ensures installations acceptability in most industrial and commercial locations.

EDWARDS
SIGNALING

© Copyright 2002 Edwards

TECHNICAL INFORMATION



Cat. No.	Peak Candlepower	Lens Color	Replacement Lens	Electrical Ratings	Replacement Strobe Tube	Strobe Tube Life*	Replacement Dome
57EDFR-G1	2.3 million	Red	57E-LR	24V DC 2.2A	92-ST	3,000 Hours	57E-DC
57EDFA-G1		Amber	57E-LA				
57EDFB-G1		Blue	57E-LB				
57EDFG-G1		Green	57E-LG				
57EDFM-G1		Magenta	57E-LM				
57EDFC-G1		Clear	57E-LC				
57EDFR-N5	2.3 million	Red	57E-LR	120V 50/60 Hz 0.2A	92-ST	3,000 Hours	57E-DC
57EDFA-N5		Amber	57E-LA				
57EDFB-N5		Blue	57E-LB				
57EDFG-N5		Green	57E-LG				
57EDFM-N5		Magenta	57E-LM				
57EDFC-N5		Clear	57E-LC				
57EDFR-R5	2.3 million	Red	57E-LR	240V 50/60 Hz 0.1A	92-ST	3,000 Hours	57E-DC
57EDFA-R5		Amber	57E-LA				
57EDFB-R5		Blue	57E-LB				
57EDFG-R5		Green	57E-LG				
57EDFM-R5		Magenta	57E-LM				
57EDFC-R5		Clear	57E-LC				

*Calculated strobe tube life at operating power to 75% efficiency

www.leedan.com info@leedan.com Toll-Free: 800-231-1414