



AdaptaHorn® Electronic Horn

Outdoor Surface Mount

868 Series

FEATURES

- > Low current draw
- > High dB output
- > Terminals for easy wiring
- > Gray Flame resistant housing
- > Complete with gasket and weatherproof surface back box
- > Engineered thermoplastic housing

AGENCY APPROVALS

- > UL 464 Listed

SPECIFICATIONS

- > Operating voltage: -20% to +10% of nominal voltage
- > Outdoor Operating Environment: 98% relative humidity at 104°F (40°C); -31°F to 150°F (-35° to 66°C) variable ambient

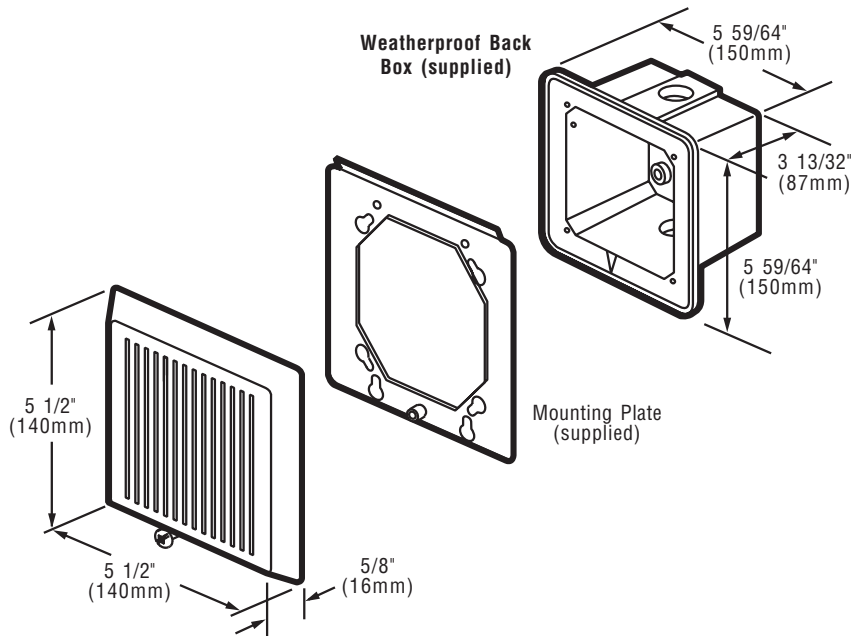
www.leedan.com info@leedan.com Toll-Free: 800-231-1414

The Edwards 868 series is a low current, high decibel, weatherproof surface mount, electronic horn for outdoor or indoor use. It has been designed for mounting with the supplied weatherproof back box.

The 868 mounts, using the supplied gasket, to the gray, corrosion resistant weatherproof surface box supplied with the unit. The box measures 5 59/64" (150mm) square by 3 13/32" (87mm) deep.

The 868 electronic horn is for indoor and outdoor use wherever a distinctive, audible signal is required for timing, scheduling, general alarm, and emergency warning applications.

TECHNICAL INFORMATION



Cat. No.	Volts	Amps	dB at 10 ft (3.05m)
868-AQ	24V AC	60mA	90 dBA (Anechoic chamber)
	24V DC	20mA	
868-N5	120V AC	21mA	90 dBA (Anechoic chamber)

www.leedan.com info@leedan.com Toll-Free: 800-231-1414