



# AdaptaBeacon® Division 2 Strobes

***Diode Polarized  
NEMA Type 3R & 4 Rated***

**107DDV2<sup>(†)</sup>ST-G1 Series**

## FEATURES

- > Bracket, ceiling or pendant mount
- > Diode polarized for use in electrically supervised circuits
- > High impact glass dome
- > Dome guard (optional)
- > 65 flashes per minute

## AGENCY APPROVALS

- > UL 1638 and 1604 Listed
- > cUL Listed C22.2 No. 205
- > NEMA Type 3R & Type 4 Rated

[www.leedan.com](http://www.leedan.com) [info@leedan.com](mailto:info@leedan.com) Toll-Free: 800-231-1414

Edwards AdaptaBeacon Strobe Lights are designed for installation in Division 2 environments. Rigid specifications and state-of-the-art technology provide for high visual output and low maintenance. The units are UL Listed for Type 3R and Type 4 installations. Models are available for pendant, wall and ceiling mounting.

Designed for hazardous location installation on 3/4" (19mm) conduit. May be mounted in any orientation.

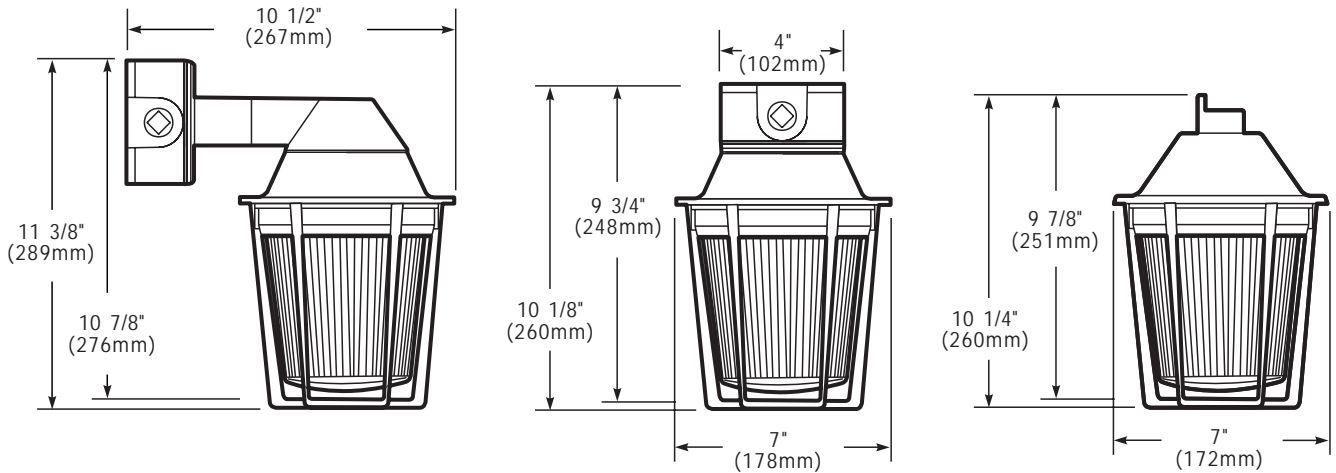
Typical industrial and commercial applications include: food processing plants, refineries, mines, tankers, laboratories, sewage treatment plants, water and filtration plants, and chemical plants.

† Insert "B" for bracket, "C" for ceiling, or "P" for pendant mount

**EDWARDS  
SIGNALING**

© Copyright 2002 Edwards

# TECHNICAL INFORMATION



Cat. No.	Lens Color	Mounting	Electrical Rating	Replacement Dome	Optional Dome Guard	Replacement Strobe Tube	Peak Candlepower
107DDV2BSTR-G1	Red	Bracket	24V DC 1.4 Amp	EDVPGL1HR	EDVPGU2	92-ST 3,000 hr*	800,000
107DDV2BSTA-G1	Amber						
107DDV2BSTB-G1	Blue						
107DDV2BSTG-G1	Green						
107DDV2BSTM-G1	Magenta						
107DDV2BSTC-G1	Clear						
107DDV2CSTR-G1	Red	Ceiling	24V DC 1.4 Amp	EDVPGL1HR	EDVPGU2	92-ST 3,000 hr*	800,000
107DDV2CSTA-G1	Amber						
107DDV2CSTB-G1	Blue						
107DDV2CSTG-G1	Green						
107DDV2CSTM-G1	Magenta						
107DDV2CSTC-G1	Clear						
107DDV2PSTR-G1	Red	Pendant	24V DC 1.4 Amp	EDVPGL1HR	EDVPGU2	92-ST 3,000 hr*	800,000
107DDV2PSTA-G1	Amber						
107DDV2PSTB-G1	Blue						
107DDV2PSTG-G1	Green						
107DDV2PSTM-G1	Magenta						
107DDV2PSTC-G1	Clear						

\*Calculated at operating power to 75% efficiency.

## HAZARDOUS LOCATION LISTINGS

Class	Division	Group	Ambient Temperature	Operating Temperature Code
I	2	A,B,C,D	104F (40C)	T2 (300C, 572F)
			131F (55C)	T1 (450C, 842F)
			149F (65C)	T1 (450C, 842F)
II**	1 and 2**		104F (40C)	T4A (120C, 248F)
III**	1 and 2**		131F (55C)	T4 (135C, 275F)
			149F (65C)	T3C (160C, 320F)

\*\*Pendant mount models only. Pendant mount models are also listed for use in Class II, Division 1, Groups E, F and G, Class II, Division 2, Groups F and G and Class III, Division 1 and 2 hazardous locations.