



## 825 Class Night Star Solar LED Beacon

The 825 Class Night Star Solar LED Beacon is a self-contained, high-performance, low-maintenance and easy-to-install solar-powered light source suitable for various applications and industrial environments. All of the components are incorporated within a compact, stand-alone unit that provides a clean, renewable and reliable energy source with a minimal impact on the environment. The 825 also features a replaceable and recyclable battery pack that extends the service life beyond five years, reducing the total cost of ownership and resulting in significant cost savings over the life of the product. The base and lens are made from a UV resistant, polycarbonate/polysilixane co-polymer with double O-ring sealing and a waterproof vent. The unit is available in blue, red, amber, green and white.

The 825 Class Night Star Solar LED Beacon is the first solar product to incorporate intelligent deployment location settings that allow the 825 to be tuned to its location, protecting it against improper configuration. A microprocessor Energy Management System (EMS) monitors and adapts the brightness to environmental conditions for consistent operation and long life under the toughest conditions.

Easy configuration and programming options include an on-board user interface and Device Manager software through USB connection. The 825 is also available in a version that features an optional external on/off switch.

### 825 Class Night Star Solar LED Beacon Features

- Dusk-to-dawn operation
- Replaceable and recyclable battery pack
- Intuitive on-board user interface
- Intelligent deployment location settings to protect against improper configuration
- Optional external on/off switch
- -45°F to 124°F (-43°C to 51°C) operating temperature
- IP 68
- Flash or steady output
- Enclosure Class 6P
- Over 250 flash patterns

## 825 Class Night Star Solar LED Beacons

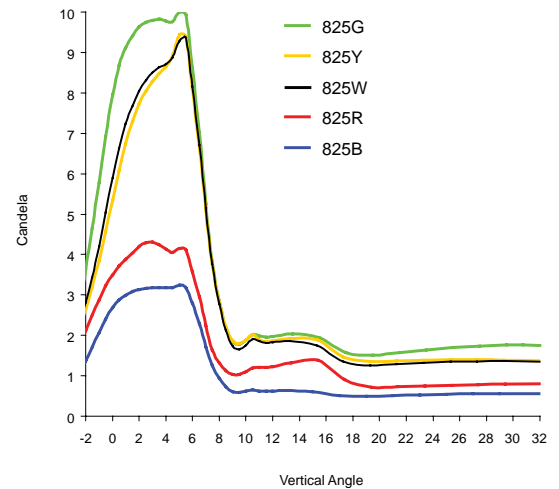
Description	Type	Cat. No.	Base Color	LED Colors	Candela Output	Replacement Battery Pack
Solar LED Beacon	No Switch	<b>825SOLAR*</b>	Gray	Blue, Red, Amber Green, White	Color dependent. See chart below.	825BATTPK
	With Switch	<b>825SOLAR*SW</b>	Gray	Blue, Red, Amber Green, White	Color dependent. See chart below.	825BATTPK

\*Letter in this position designates LED color: B - Blue, R - Red, A - Amber, G - Green, W - White

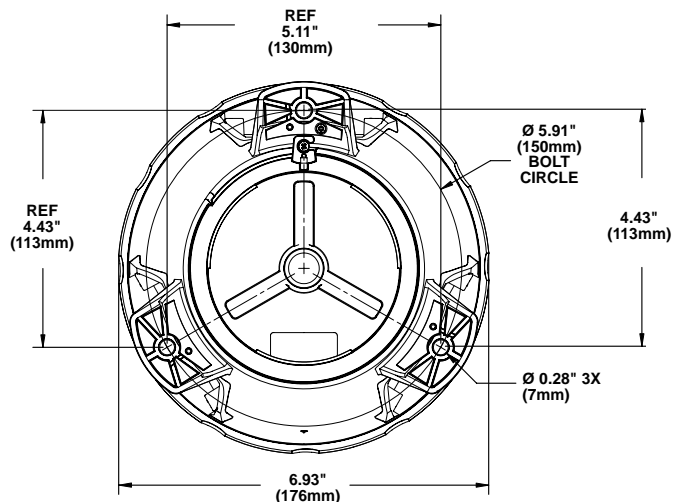
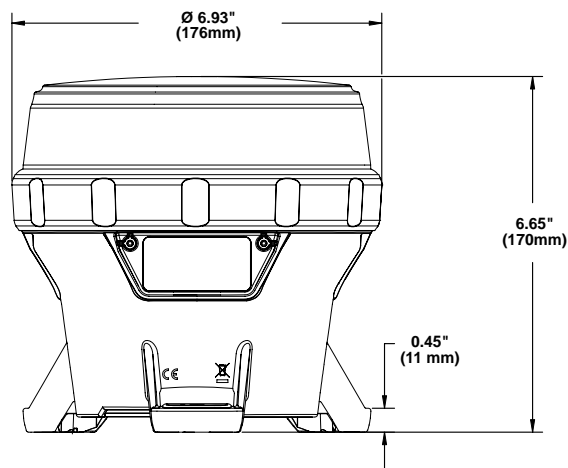
## Accessories

Cat. No.	Description
<b>825BIRD</b>	Bird Deterrent (1 ships with each light)
<b>825REPLKITSW</b>	Bottom Cover Replacement Kit (w/switch)
<b>825REPLKIT</b>	Bottom Cover Replacement Kit (w/o switch)
<b>825BATTPK</b>	Battery Pack
<b>825BATTCHG</b>	Battery Charger
<b>825BCTOOL</b>	Button Cover Removal Tool
<b>825USB</b>	USB Cable for 825 Solar, A-type plug to Mini-B-type plug, 2m long
<b>825DVM</b>	825 Class Device Manager Software CD
<b>825MP</b>	825 Class Mounting Plate
<b>825STBK</b>	825 Class Standard Bolt Kit
<b>825SECBK</b>	825 Class Security Bolt Kit
<b>825FRC</b>	825 NS 1.5" Diameter Frangible Coupling
<b>825FF</b>	825 NS 1.5" Diameter Floor Flange
<b>825FRC21</b>	825 NS 2" to 1" Diameter Frangible Coupling
<b>825FF2</b>	825 NS 2" Floor Flange
<b>825FMK</b>	825 Fence Mounting Kit

## Candela Output



## Dimensional Drawings



## Agency Approvals



**Distributed By:**  
**LEE DAN COMMUNICATIONS, INC.**  
[www.leedan.com](http://www.leedan.com) [info@leedan.com](mailto:info@leedan.com)  
**Toll-Free: 1-800-231-1414**

Data Sheet ES001-0116 Issue 1  
 Not to be used for installation purposes.  
 Page 2 of 2