

Conventional Fire Alarms

Duct Detectors, Four-Wire

SuperDuct Series



Less than two inches deep, SuperDuct four-wire smoke detectors are suitable for installation in ductwork, where space is limited. SuperDuct detectors feature removable dust filters, conformally coated circuit boards, and optional water-resistant gaskets to keep contaminants away from components. They include industry standard sampling tube mounting holes to simplify retrofit applications.

SuperDuct detectors use differential sensing to prevent gradual environmental changes from triggering false alarms. A rapid change in environmental conditions, such as smoke from a fire, causes the detector to automatically signal an alarm condition but dust and debris accumulated over time does not change alarm sensitivity.

The relay output may be configured for operation independent of the duct detector. A dedicated dirty/trouble LED on each unit offers immediate at-a-glance information even when the cover is closed.

The controller can be installed up to 15 feet from detector and one controller can support up to two detectors. Up to 15 controllers can be interconnected for multiple fan shutdown.

Remote Test/Reset stations are available to provide alarm testing and indication from a remote location. Two-wire SuperDuct detectors are also compatible with 5956A remote alarm LEDs.

Features and Specifications

Detector Assembly

- Less than 2" deep
- PCB mounted photoelectric detector with on-board intelligence
- Environmental compensation with patented differential sensing
- 100 ft./min. to 4,000 ft./min. air velocity rating
- Standard RJ45 modular interconnection
- Status LEDs visible through clear cover
- Cover tamper reed switch for added security
- Standard sampling tube and mounting holes
- Install in tandem with the controller assembly, or remotely from it
- Magnet-activated test/dirty/reset switch
- No need to open the detector for installation
- Operating temperature range: -4°F to 158°F (-20°C to 70°C)

Controller

- One controller for up to two detectors
- Standard connections for easy migration
- Status LEDs visible through clear cover
- Alarm contact, trouble contact, and two 10 amp auxiliary contacts
- Interconnect up to 15 controllers for multiple fan shut-down

Ordering Information

Description	Cat. No.	Operating Voltage ¹	Auxiliary Output	Supervision Relay	Aux. Relays (2)	Alarm Initiation Relay	Sensitivity	Reset Time
Controller with Sensor (RJ45)	SD-4WJ	24V DC, 24V AC, 120V AC, 230V AC	18V DC nom; 0.03A max.	2A@30V DC, Form C	10A@30V DC; 10A@250V AC, Form C	N.O, 2A@30V DC	0.67 to 2.46%/ft. obscuration	2 sec.
Controller - RJ45	SD-CJ	24V DC, 24V AC, 120V AC, 230V AC	18V DC nom; 0.03A max.	2A@30V DC, Form C	10A@30V DC; 10A@250V AC, Form C	N.O, 2A@30V DC	0.67 to 2.46%/ft. obscuration	2 sec.
Sensor - RJ45	SD-SJ	24V DC, 24V AC, 120V AC, 230V AC	18V DC nom; 0.03A max.	2A@30V DC, Form C	10A@30V DC; 10A@250V AC, Form C	N.O, 2A@30V DC	0.67 to 2.46%/ft. obscuration	2 sec.
Controller - Terminals	SD-CT	24V DC, 24V AC, 120V AC, 230V AC	18V DC nom; 0.03A max.	2A@30V DC, Form C	10A@30V DC; 10A@250V AC, Form C	N.O, 2A@30V DC	0.67 to 2.46%/ft. obscuration	2 sec.
Sensor - Terminals	SD-ST	24V DC, 24V AC, 120V AC, 230V AC	18V DC nom; 0.03A max.	2A@30V DC, Form C	10A@30V DC; 10A@250V AC, Form C	N.O, 2A@30V DC	0.67 to 2.46%/ft. obscuration	2 sec.

¹AC voltage frequency at 50/60 Hz



MEA



www.leedan.com info@leedan.com Toll-Free: 800-231-1414



Conventional Fire Alarms

Duct Detectors, Four-Wire

SuperDuct Series

Accessories	
Description	Cat. No.
8-inch sampling tube	SD-T8
18-inch sampling tube	SD-T18
24-inch sampling tube	SD-T24
36-inch sampling tube	SD-T36
42-inch sampling tube	SD-T42
60-inch sampling tube	SD-T60
78-inch sampling tube	SD-T78
120-inch sampling tube	SD-T120
RJ45 wiring harness kit – 15 ft.	SD-RJ15
RJ45 wiring harness kit – 10 ft.	SD-RJ10
RJ45 wiring harness kit – 5 ft.	SD-RJ5
Remote test station, magnetic	SD-TRM4
Remote test station, keyed	SD-TRK4
Remote LED Alarm Indicator	5956A
Protective housing for high humidity areas	SD-PH
Air velocity test kit (stoppers only, etc)	SD-VTK
Cover gasket kit	SD-GSK
Test magnet kit	SD-MAG
Replacement PCB/sensor kit (terminals)	SD-4WPCBT
Replacement PCB/sensor kit (RJ45)	SD-4WPCBJ
Replacement RJ45 interconnect cable	7140126-01

Weights and Dimensions	
Cat. No.	Approx. Shipping Weight (lb.)
SD-CJ	2.4
SD-SJ	2.4
SD-4WJ	3.7
SD-CT	2.4
SD-ST	2.4
SD-T8	0.5
SD-T18	1.5
SD-T24	1.1
SD-T36	3.0
SD-T42	3.5
SD-T60	5.8
SD-T78	4.1
SD-T120	11.5

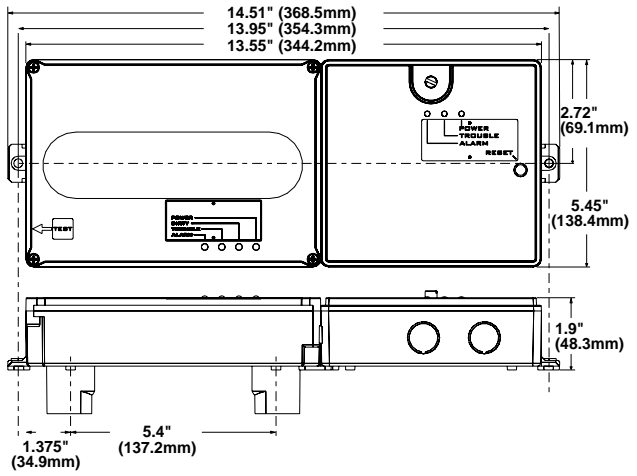
Conventional Fire Alarms

Duct Detectors, Four-Wire

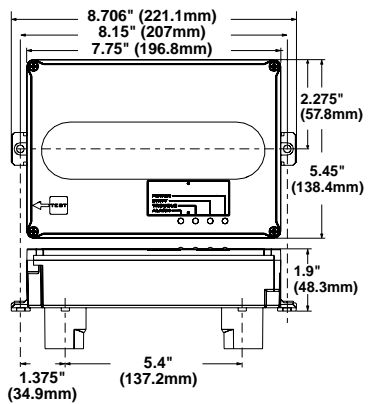
SuperDuct Series

Weights and Dimensions	(Continued)
Cat. No.	Approx. Shipping Weight (lb.)
SD-RJ15	1.50
SD-RJ10	1.50
SD-RJ5	0.60
SD-TRM4	1.00
SD-TRK4	1.00
5956A	1.00
SD-PH	5.50
SD-VTK	1.00
SD-GSK	0.50
SD-MAG	0.50
SD-4WPCBT	1.00
SD-4WPCBJ	1.00
7140126-01	0.50

Controller and Detector (mounted in tandem)



Detector



Controller

