

**"SOUND SYSTEM" SINGLE AND MULTIPLE RESIDENCE VIDEO DOOR ENTRY SYSTEM
WITH POWER SUPPLY TYPE 6680 AND WITHOUT CONVERSATION PRIVACY**



LIST OF SYSTEM COMPONENTS (Diagram ref. VC4306) WITHOUT CONVERSATION PRIVACY

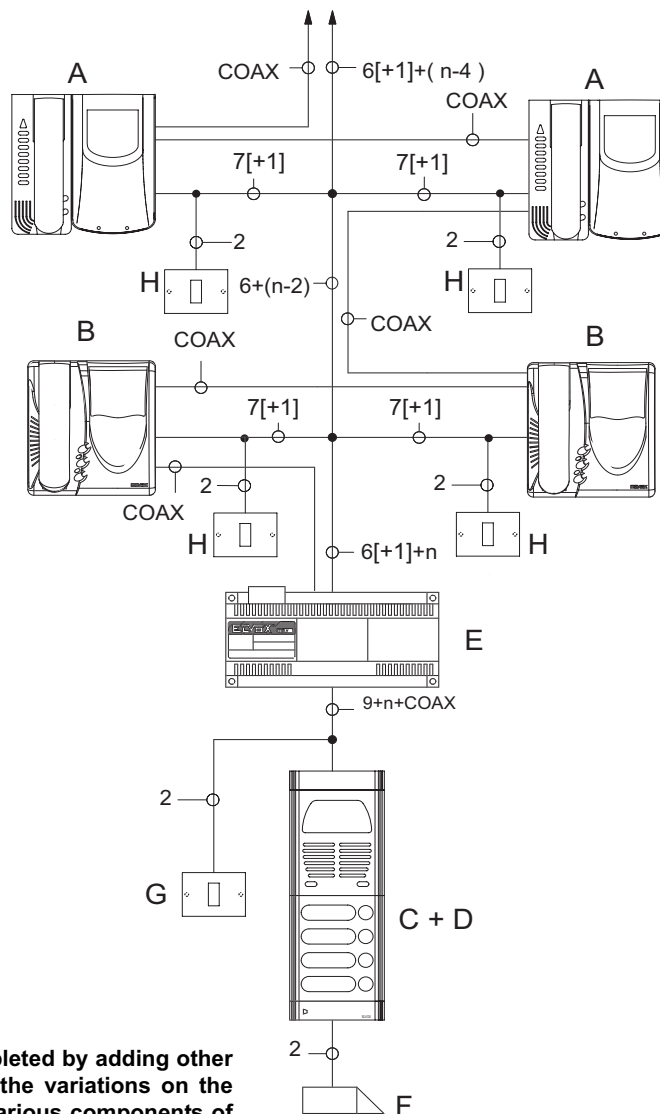
Diag. ref.	type	Denomination	Quantity
A	6000 + 6200 + 6145, 6003 + 6200 + 6145	Monitor	n
B	6300, 6301, 6320, 6321, 6500, 6501, 6401, 6303, 6600, 6700	Monitor	n
C	Serie 3300, 8100, 1200, PATAVIUM or letter box 2550	Entrance panel	1
D	559, 559A, 559B, 559G, 558, 570, 570G, 571 or 559C and 570C	Camera	1
E	6680	Power supply	1
F	-	Electric lock 12V AC	1
G	-	Additional door lock button	1
n	-	Number of calls from entrance panel	n

In the event of a short circuit, the protection devices (PTC) switch off the mains voltage. Once the short circuit has been eliminated, wait for a few minutes to allow the protection device to cool down so that the unit can return to normal operation.

Lighting of entrance panel:
type 6680 powers a maximum of 3 24V 3 W bulbs
Transformer type M832 powers a maximum of 10 24V 3W bulbs;
Transformer type M832/030 powers a maximum of 16 24V 3W bulbs.

Note: The value in square bracket is to be added in case of outdoor call.

www.leedan.com info@leedan.com Toll-Free: 800-231-1414



N. B. The system can be completed by adding other services. To do this, consult the variations on the standard connection for the various components of the system, on pages 157 to 178.

BLOCK DIAGRAM N° sb1229

**"SOUND SYSTEM" SINGLE AND MULTIPLE RESIDENCE VIDEO DOOR ENTRY SYSTEM
WITH POWER SUPPLY TYPE 6680 AND WITHOUT CONVERSATION PRIVACY**



B/W MONITOR
type 6000 +
type 6200 +
type 6145

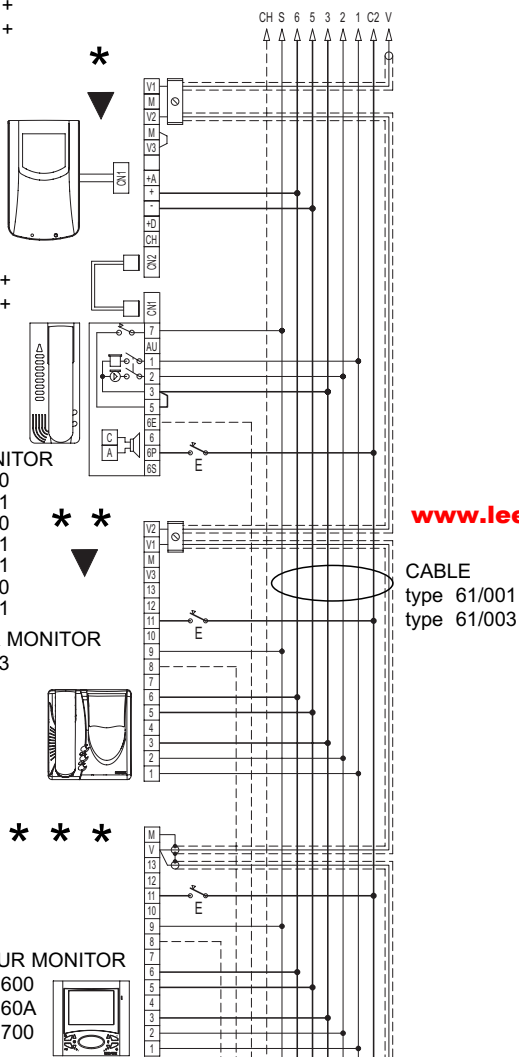
MONITOR CABLE RISER

COLOUR MONITOR
type 6003 +
type 6200 +
type 6145

B/W MONITOR
type 6300
type 6301
type 6320
type 6321
type 6401
type 6500
type 6501

COLOUR MONITOR
type 6303

COLOUR MONITOR
type 6600
type 660A
type 6700



www.leedan.com info@leedan.com Toll-Free: 800-231-1414

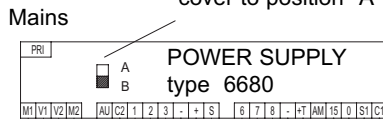
*
Connect 75 Ohm resistor (supplied) to the last monitor, between terminals V2-M.

* *
N.B.
The monitors have a microswitch on the back, set it to "without conversation privacy".

* * *
N.B.
The monitors have a microswitch on the back, set it to "without conversation privacy" (position B).

▼
N.B.
The monitors have a microswitch on the back (or underneath) for connection "with coaxial/without coaxial"; set the microswitch to "coaxial".

N.B.
In the event of buzzing on the audio line, move the switching module "A-B" located under the cover to position "A".



CABLE
type 61/001
type 61/003

- A- Video entrance panel, 8000, 8100, 3300 PATAVIUM and letter box 2550/301-302 series
- B- Additional door lock button
- C- 12V~ electric lock
- D- Camera with speech unit
type 559, 559A, 559B, 559G, 558, 570, 570G, 571, 559C and 570C+930A
- L1- Entrance panel illumination bulb
(3x24V 3W max.)
10x24V 3W with type M832
16x24V 3W with type 832/030

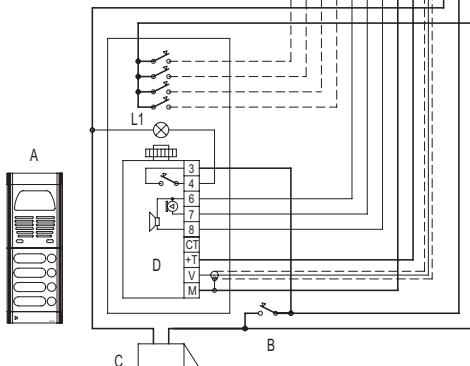


DIAGRAM N° vc4306R1